

TIME-SERT®

DRAIN PLUG REDUCER

M14x1.5 to M12x1.5 P/n 1412

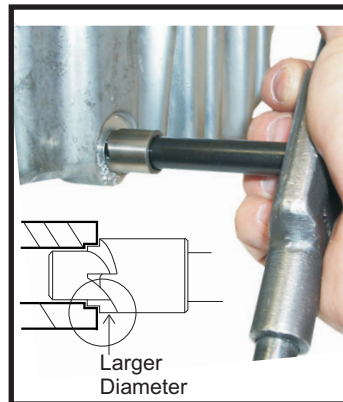
-WARNING-

Cutting Tools may shatter if broken. The wearing of safety glasses is required in the vicinity of their use.



Kit contains:
Counterbore P/n 32152
Install Driver P/n 32154
2 steel inserts P/n 12151

INSTRUCTIONS



STEP 1

Counterbore the hole to full depth permitted by the tool.

The counterbore tool has 4 cutting teeth and a larger diameter which is the stop.

When the larger diameter contacts the surface a full 360 degrees this is the full depth.



STEP 2

OIL THREADS OF DRIVER with any 30 wt motor oil. Screw the driver tool into the insert. When the flange of the insert is seated the driver will tighten up. Using a little more power continue to rotate the driver until it loosens up.

NOTE: The driver must pass through the insert 6mm or 1/4" to expand the bottom few threads of the insert to lock in place. Remove driver.

You will need to purchase a new M12x1.5 drain plug with washer at your local auto parts store.