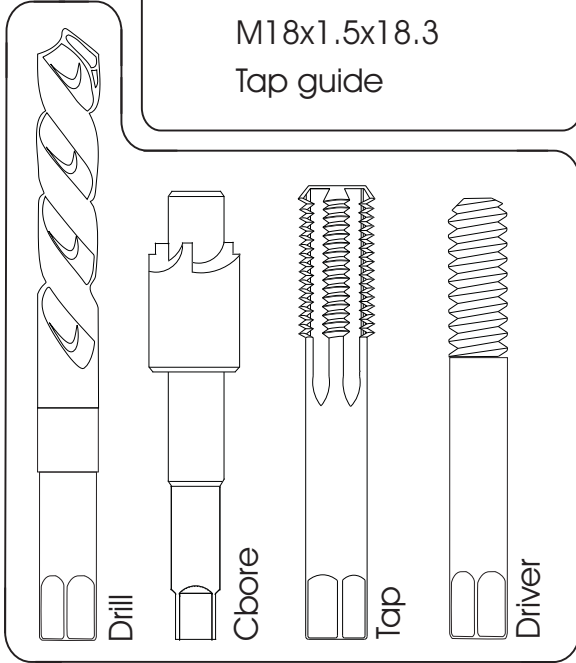


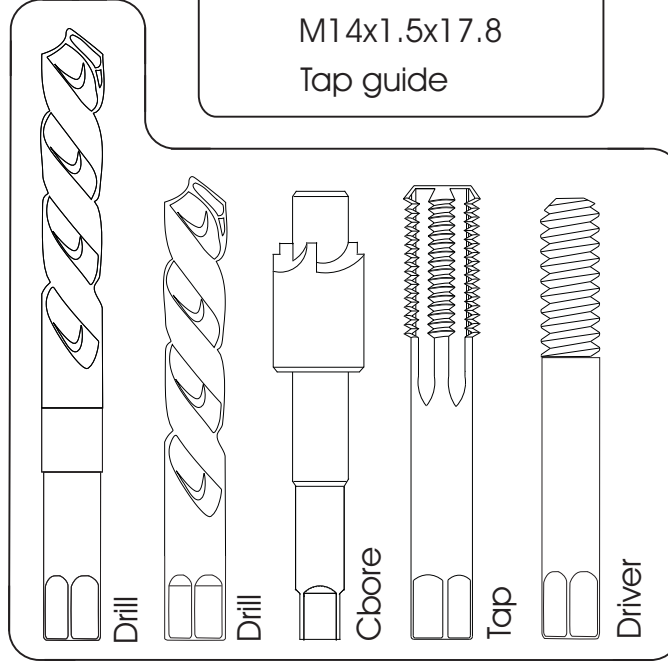
## M18x1.5

M18x1.5x10.0  
M18x1.5x15.0  
M18x1.5x18.3  
Tap guide



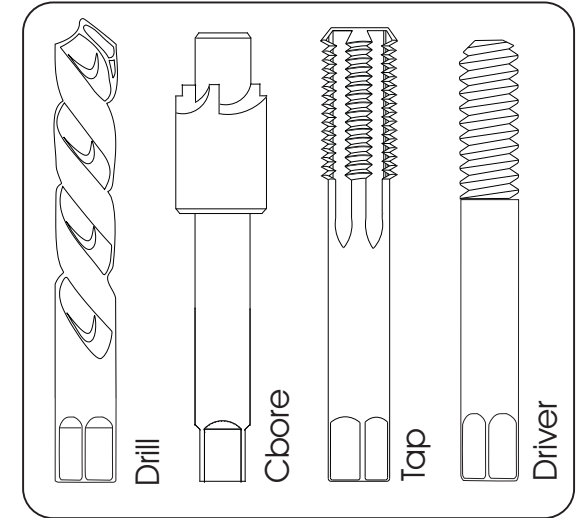
## M14x1.5

M14x1.5x9.4  
M14x1.5x12.7  
M14x1.5x17.8  
Tap guide



## M12x1.75

M12x1.75x12.0  
M12x1.75x16.2  
M12x1.75x24.0  
Tap guide

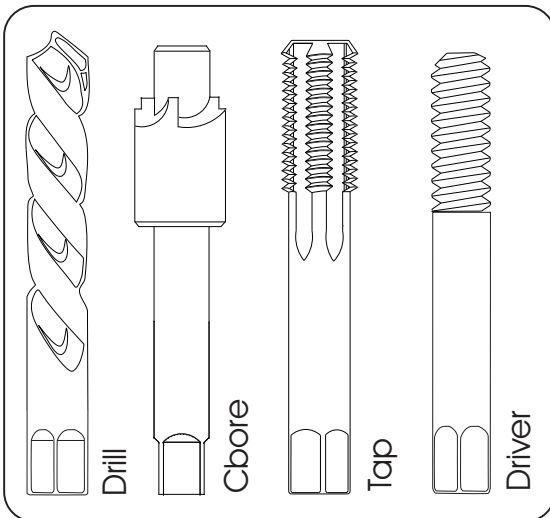


Note: Optional tap sockets are located on upper level

## M12x1.25

M12x1.25

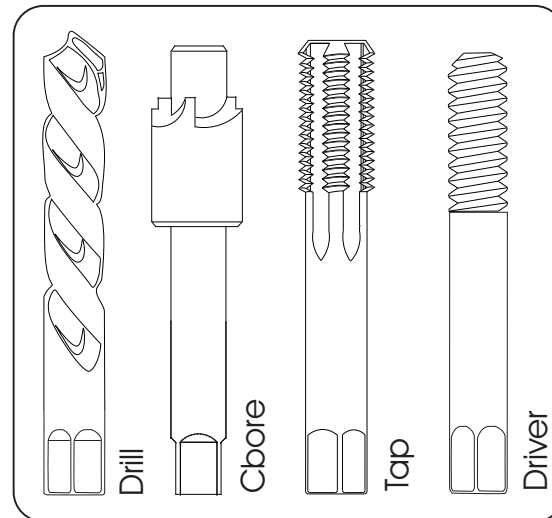
M12x1.25x9.0  
M12x1.25x15.0  
M12x1.25x24.0  
Tap guide



## M12x1.5

M12x1.5

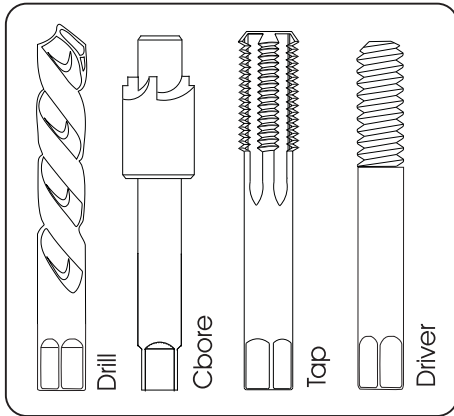
M12x1.5x9.2  
M12x1.5x16.2  
M12x1.5x24.0  
Tap guide



# TIME-SERT®

## MEGA MASTER METRIC THREAD REPAIR KIT P/n 2001

### M8x1.25



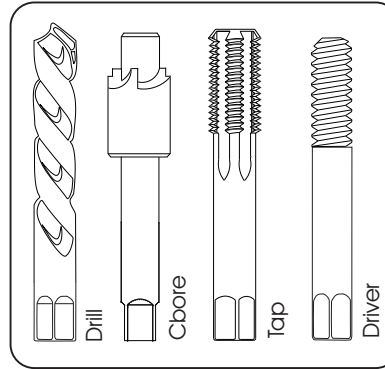
#### M8x1.25 INSERTS

M8x1.25x11.7  
M8x1.25x14.0  
M8x1.25x16.2  
Tap guide

#### M6x1.0 INSERTS

M6x1.0x9.4  
M6x1.0x12  
M6x1.0x15  
Tap guide

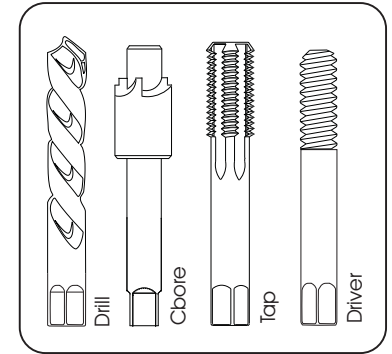
### M6x1.0



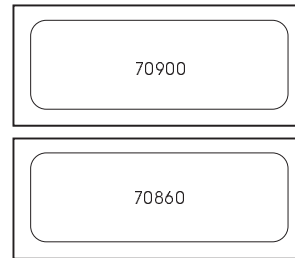
#### M5x0.8 INSERTS

M5x0.8x7.6  
M5x0.8x10  
M5x0.8x12  
Tap guide

### M5x0.8



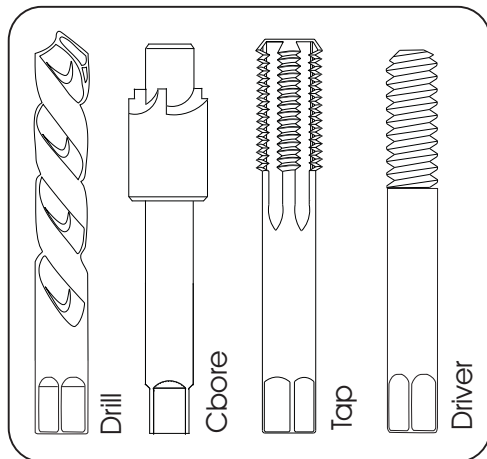
#### M14x1.5 Optional Tap Sockets



#### Oil Bottle



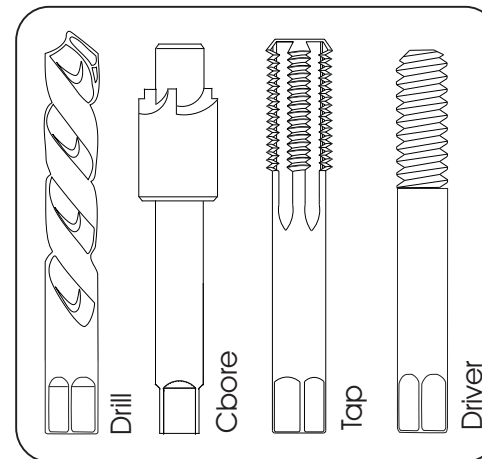
### M10x1.5



#### M10x1.5 INSERTS

M10x1.5x9.4  
M10x1.5x14  
M10x1.5x20  
Tap guide

### M10x1.25



#### M10x1.25 INSERTS

M10x1.25x14.0  
M10x1.25x16.2  
M10x1.25x20.0  
Tap guide