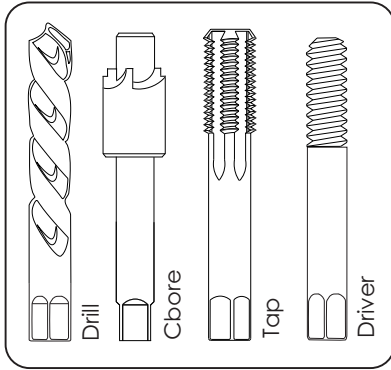


TIME-SERT®

MEGA MASTER INCH THREAD REPAIR KIT P/n 3771

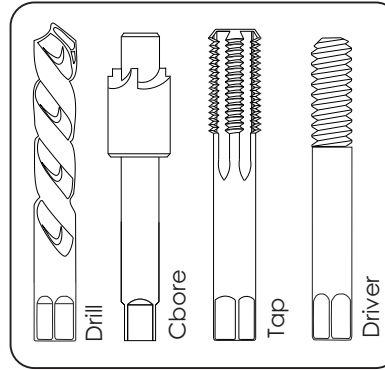
1/4-28



1/4-20 INSERTS

1/4-20x.280 p/n 01400
 1/4-20x.380 p/n 01401
 1/4-20x.500 p/n 01403
 Tap guide p/n 31420

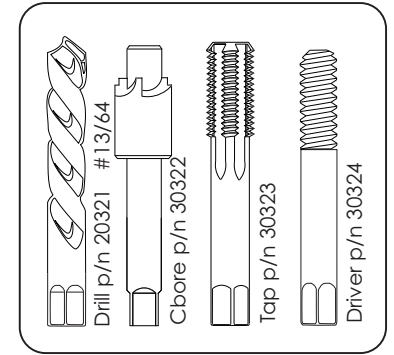
1/4-20



10-32 INSERTS

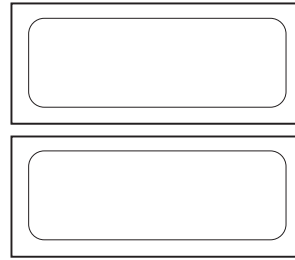
10-32x.240 p/n 00320
 10-32x.300 p/n 00321
 10-32x.370 p/n 00323
 Tap guide p/n 30325

10-32



1/4-28 INSERTS

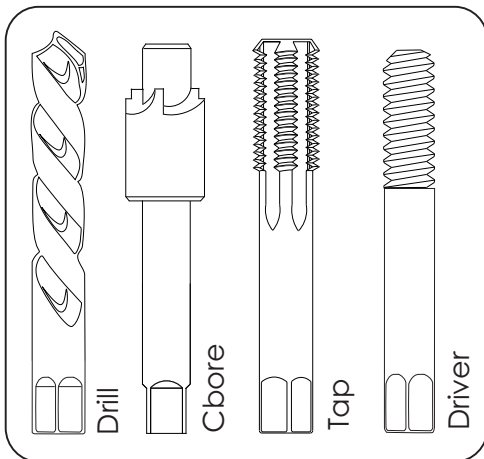
1/4-28x.280 p/n 01480
 1/4-28x.380 p/n 01481
 1/4-28x.500 p/n 01483
 Tap guide p/n 31420



Oil Bottle



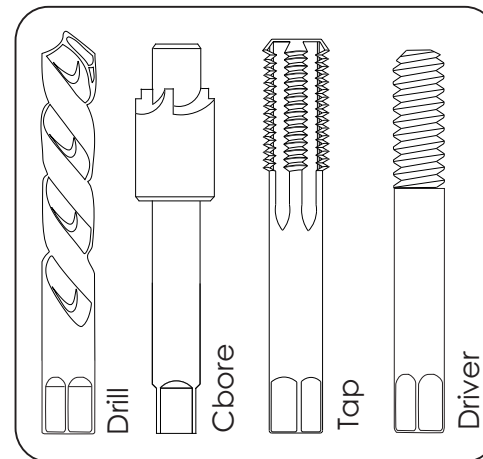
5/16-18



5/16-18 INSERTS

5/16-18x.350 p/n 05610
 5/16-18x.450 p/n 05611
 5/16-18x.620 p/n 05613
 Tap guide p/n 35168

5/16-24

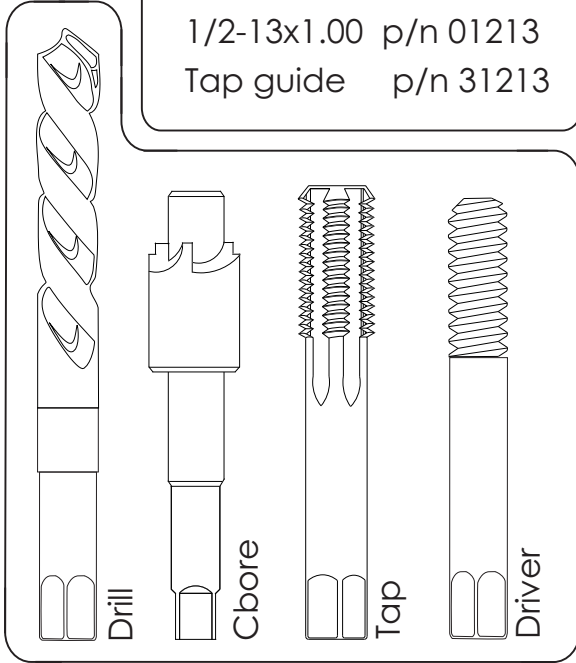


5/16-24 INSERTS

5/16-24x.350 p/n 05620
 5/16-24x.450 p/n 05621
 5/16-24x.620 p/n 05623
 Tap guide p/n 35168

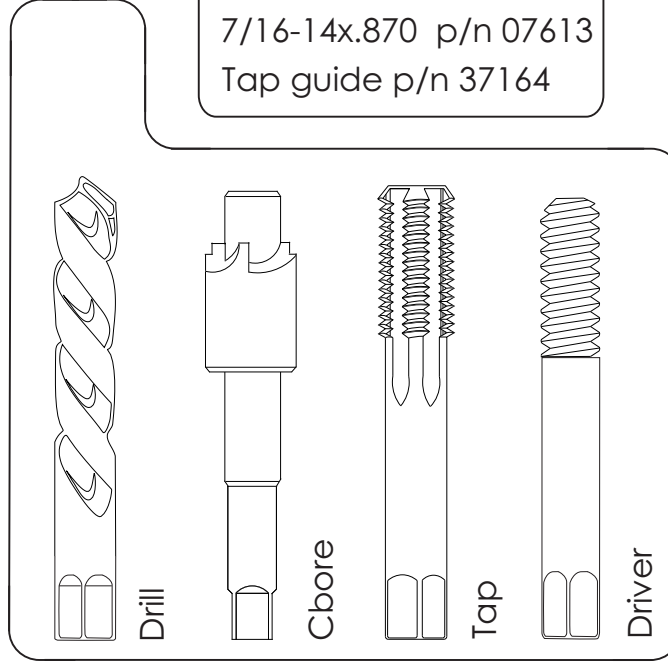
1/2-13

1/2-13x.400 p/n 01217
1/2-13x.650 p/n 01211
1/2-13x1.00 p/n 01213
Tap guide p/n 31213



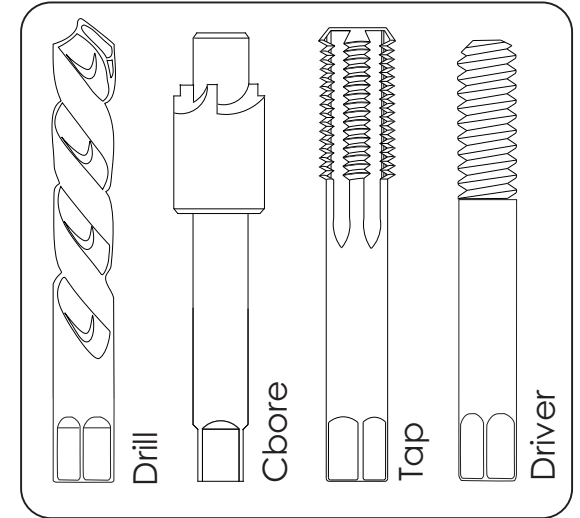
7/16-14

7/16-14x.400 p/n 07610
7/16-14x.600 p/n 07611
7/16-14x.870 p/n 07613
Tap guide p/n 37164



7/16-20

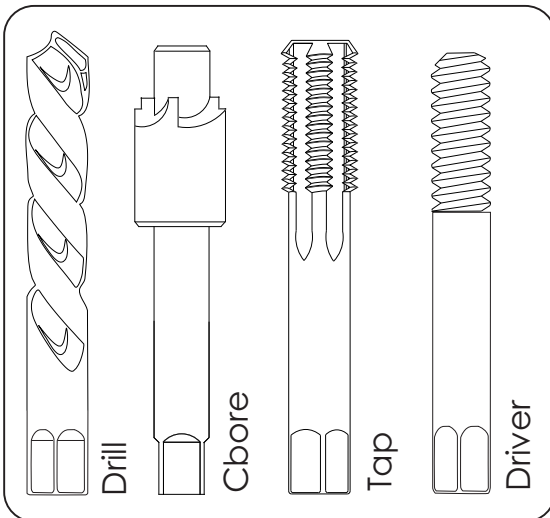
7/16-20x.480 p/n 07627
7/16-20x.600 p/n 07621
7/16-20x.870 p/n 07623
Tap guide p/n 37162



3/8-16

3/8-16 INSERT

3/8-16x.520 p/n 03811
3/8-16x.750 p/n 03815
3/8-16x1.00 p/n 03810
Tap guide p/n 33816



3/8-24

3/8-24 INSERT

3/8-24 x.350 p/n 03825
3/8-24x.520 p/n 03821
3/8-24x.750 p/n 03823
Tap guide p/n 33824

