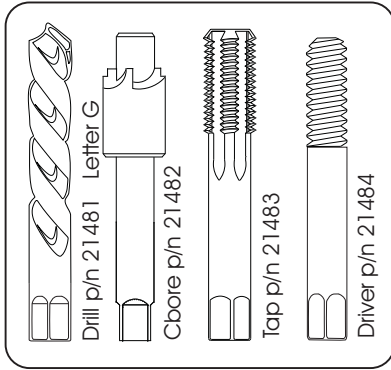


# TIME-SERT®

## MEGA MASTER INCH THREAD REPAIR KIT P/n 3771

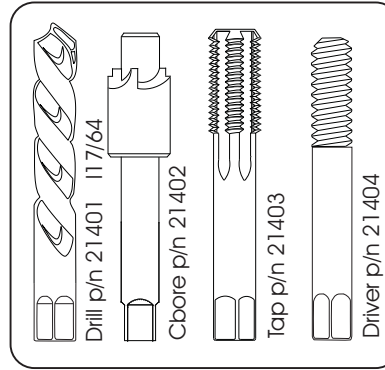
### 1/4-28



### 1/4-20 INSERTS

1/4-20x.280 p/n 01400  
1/4-20x.380 p/n 01401  
1/4-20x.500 p/n 01403  
Tap guide p/n 31420

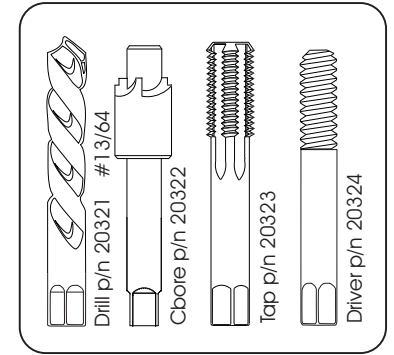
### 1/4-20



### 10-32 INSERTS

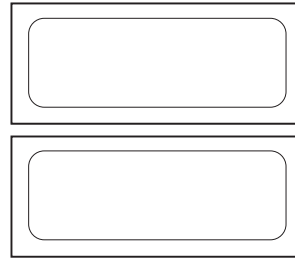
10-32x.240 p/n 00320  
10-32x.300 p/n 00321  
10-32x.370 p/n 00323  
Tap guide p/n 30325

### 10-32



### 1/4-28 INSERTS

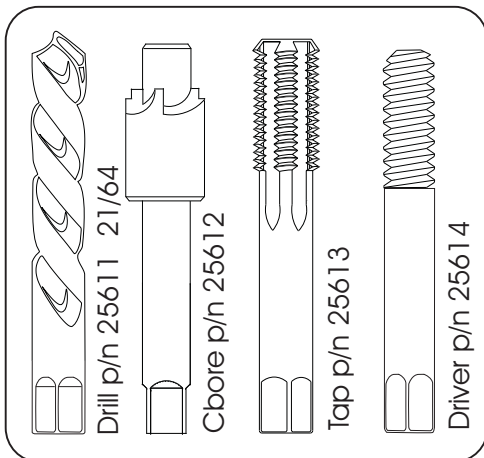
1/4-28x.280 p/n 01480  
1/4-28x.380 p/n 01481  
1/4-28x.500 p/n 01483  
Tap guide p/n 31420



### Oil Bottle



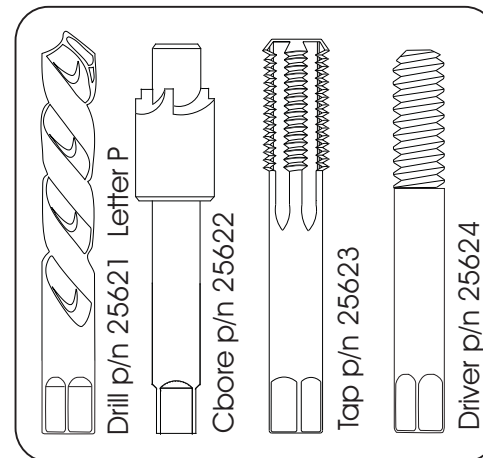
### 5/16-18



### 5/16-18 INSERTS

5/16-18x.350 p/n 05610  
5/16-18x.450 p/n 05611  
5/16-18x.620 p/n 05613  
Tap guide p/n 35168

### 5/16-24

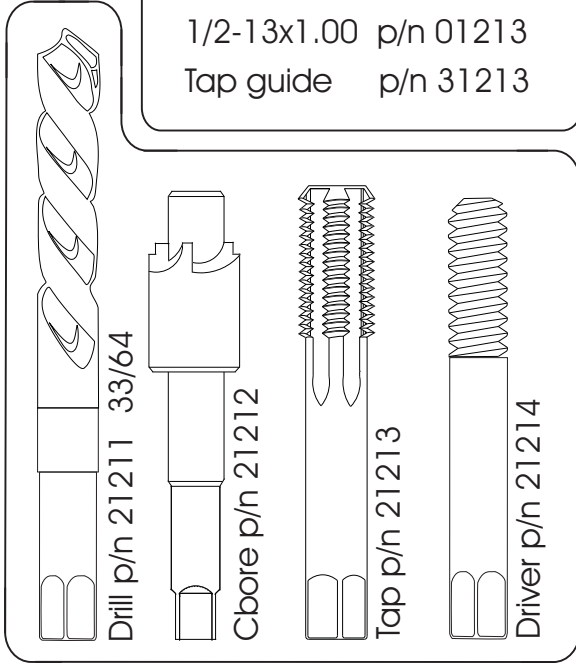


### 5/16-24 INSERTS

5/16-24x.350 p/n 05620  
5/16-24x.450 p/n 05621  
5/16-24x.620 p/n 05623  
Tap guide p/n 35168

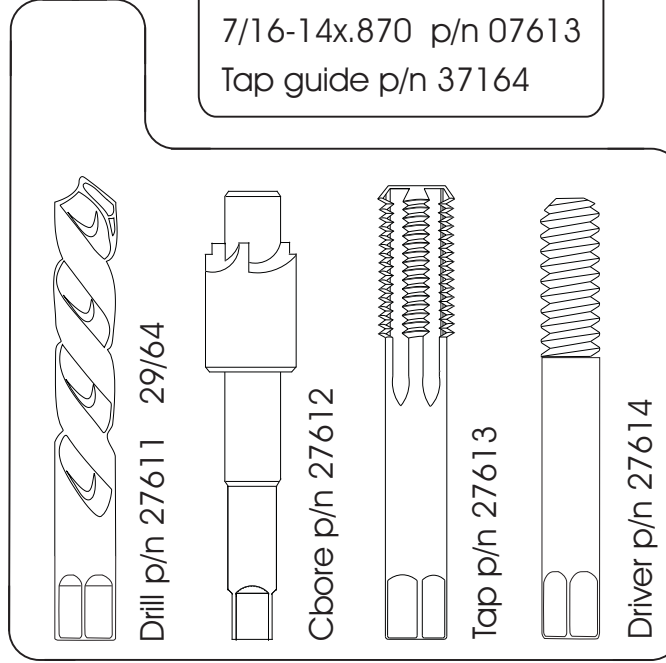
## 1/2-13

1/2-13x.400 p/n 01217  
1/2-13x.650 p/n 01211  
1/2-13x1.00 p/n 01213  
Tap guide p/n 31213



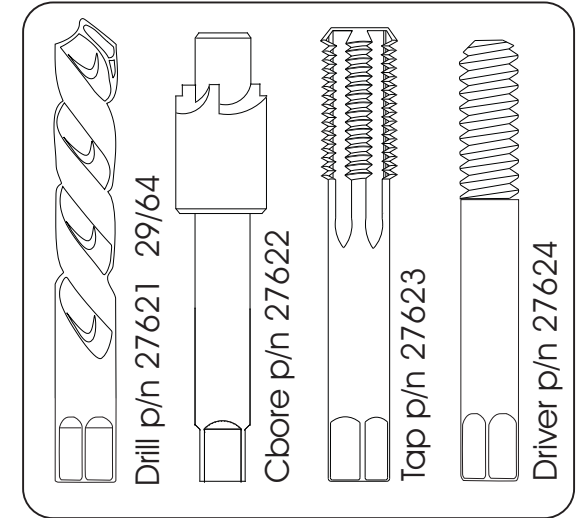
## 7/16-14

7/16-14x.400 p/n 07610  
7/16-14x.600 p/n 07611  
7/16-14x.870 p/n 07613  
Tap guide p/n 37164



## 7/16-20

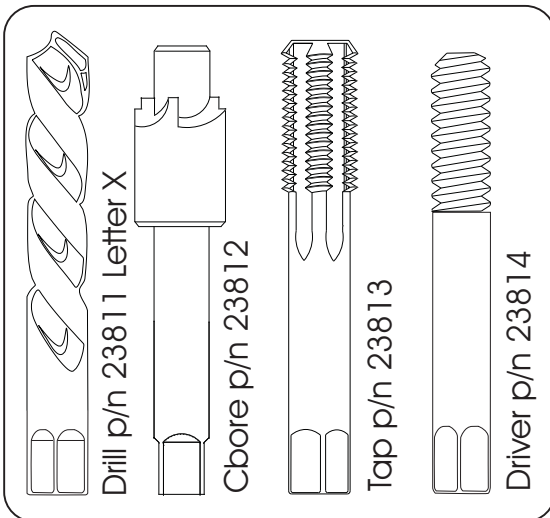
7/16-20x.480 p/n 07627  
7/16-20x.600 p/n 07621  
7/16-20x.870 p/n 07623  
Tap guide p/n 37162



## 3/8-16

3/8-16 INSERT

3/8-16x.520 p/n 03811  
3/8-16x.750 p/n 03815  
3/8-16x1.00 p/n 03810  
Tap guide p/n 33816



## 3/8-24

3/8-24 INSERT

3/8-24 x.350 p/n 03825  
3/8-24x.520 p/n 03821  
3/8-24x.750 p/n 03823  
Tap guide p/n 33824

