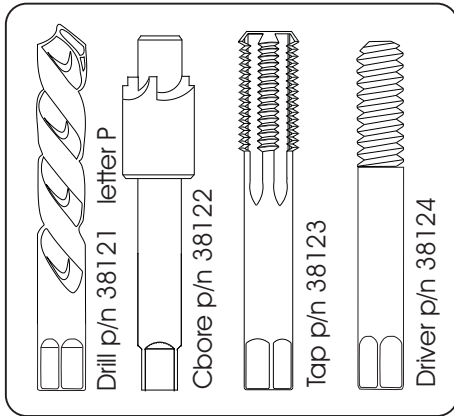


# TIME-SERT®

## MEGA MASTER METRIC THREAD REPAIR KIT P/n 2001

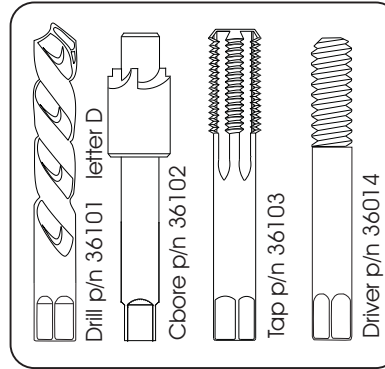
### M8x1.25



### M6x1.0 INSERTS

M6x1.0x9.4 p/n 16101  
M6x1.0x12 p/n 16103  
M6x1.0x15 p/n 161031  
Tap guide p/n 36105

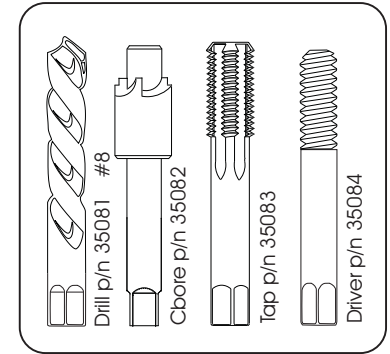
### M6x1.0



### M5x0.8 INSERTS

M5x0.8x7.6 p/n 15081  
M5x0.8x10 p/n 15083  
M5x0.8x12 p/n 15085  
Tap guide p/n 35086

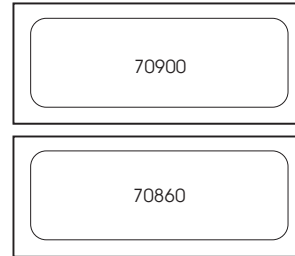
### M5x0.8



### M8x1.25 INSERTS

M8x1.25x11.7 p/n 18121  
M8x1.25x14.0 p/n 18129  
M8x1.25x16.2 p/n 18123  
Tap guide p/n 38125

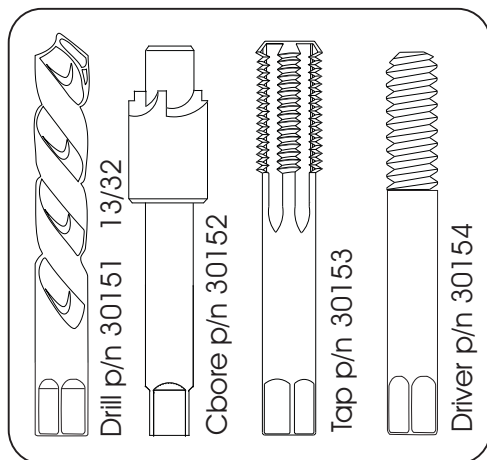
### M14x1.5 Optional Tap Sockets



### Oil Bottle



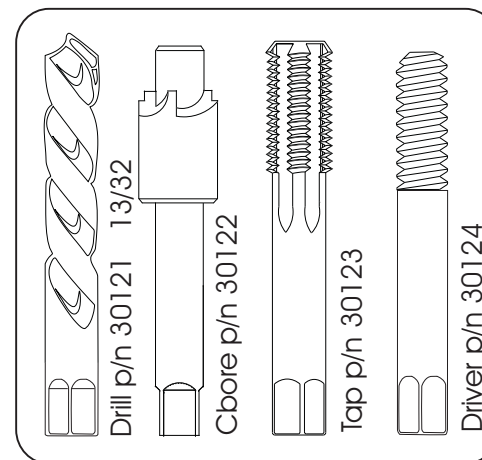
### M10x1.5



### M10x1.5 INSERTS

M10x1.5x9.4 p/n 10157  
M10x1.5x14 p/n 10151  
M10x1.5x20 p/n 10153  
Tap guide p/n 30155

### M10x1.25

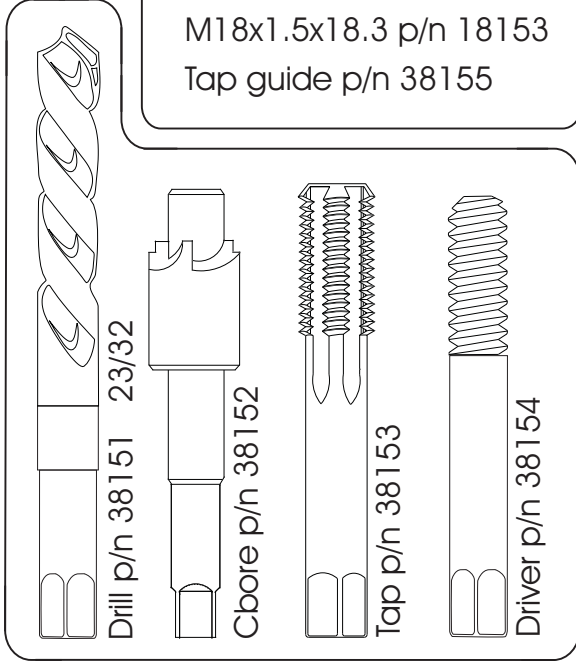


### M10x1.25 INSERTS

M10x1.25x14.0 p/n 10121  
M10x1.25x16.2 p/n 10123  
M10x1.25x20.0 p/n 10125  
Tap guide p/n 30125

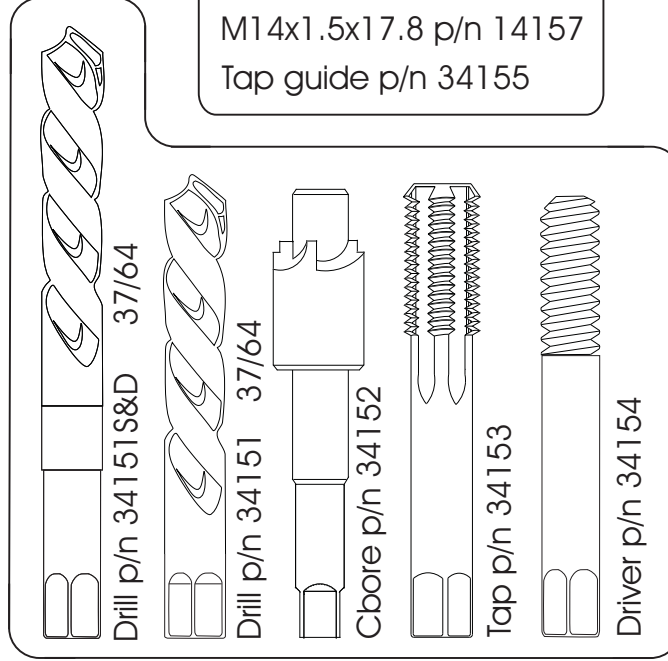
## M18x1.5

M18x1.5x10.0 p/n 18151  
M18x1.5x15.0 p/n 18157  
M18x1.5x18.3 p/n 18153  
Tap guide p/n 38155



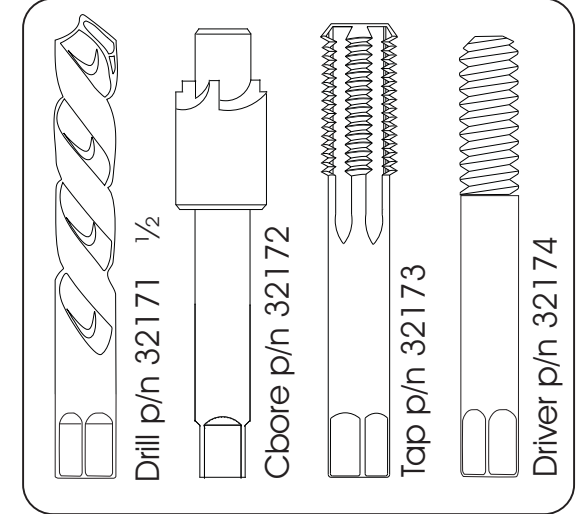
## M14x1.5

M14x1.5x9.4 p/n 14153  
M14x1.5x12.7 p/n 14155  
M14x1.5x17.8 p/n 14157  
Tap guide p/n 34155



## M12x1.75

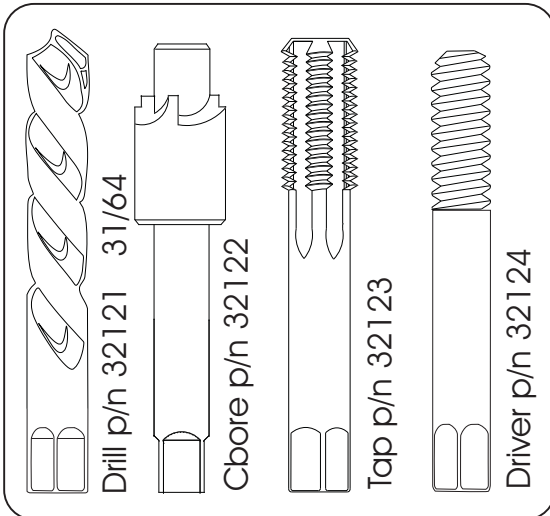
M12x1.75x12.0 p/n 12170  
M12x1.75x16.2 p/n 12171  
M12x1.75x24.0 p/n 12173  
Tap guide p/n 32175



Note: Optional tap sockets are located on upper level

## M12x1.25

M12x1.25  
M12x1.25x9.0 p/n 12121  
M12x1.25x15.0 p/n 12123  
M12x1.25x24.0 p/n 12125  
Tap guide p/n 32125



## M12x1.5

M12x1.5  
M12x1.5x9.2 p/n 12151  
M12x1.5x16.2 p/n 12153  
M12x1.5x24.0 p/n 12155  
Tap guide p/n 32155

